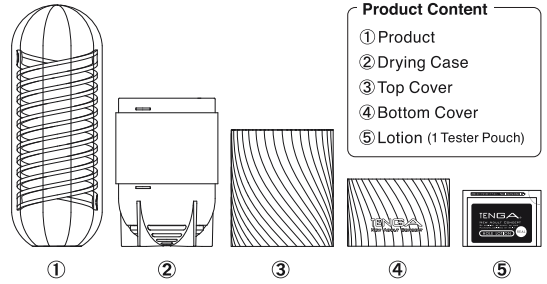


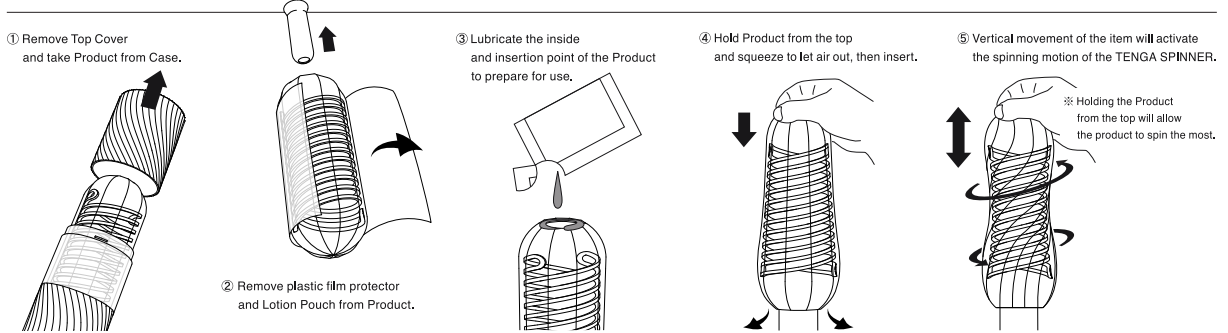
# Spiral Motion Pleasure Gear

# Spinner

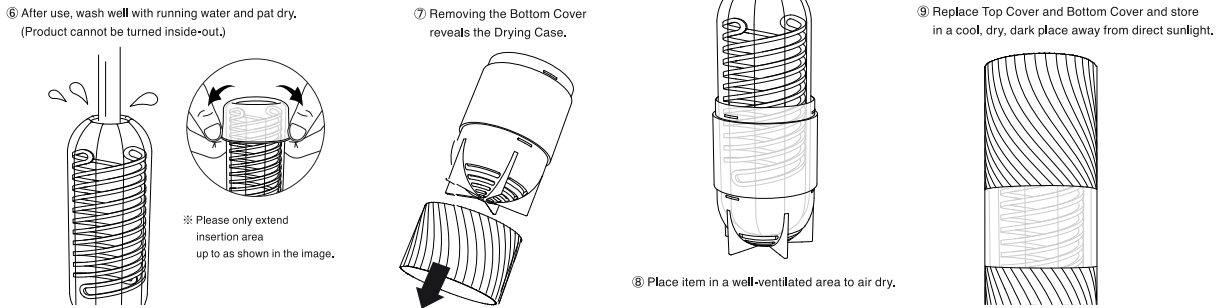
## User Manual



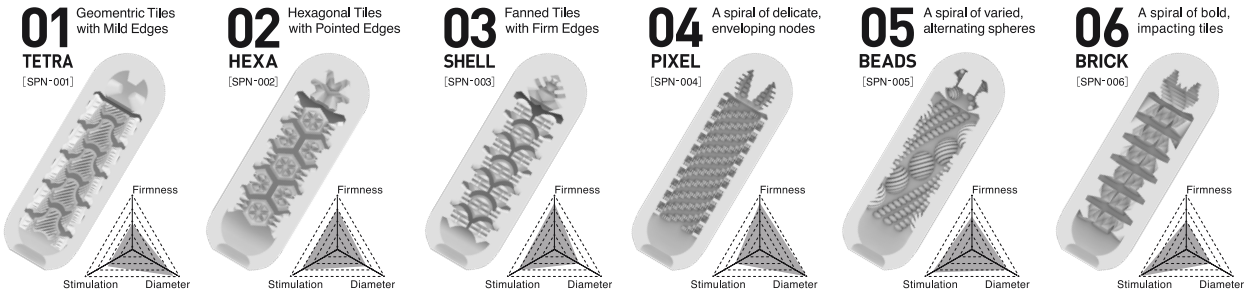
### How to Use



### Washing & Drying



### Product Lineup



### Recommended TENGA Lotions

The TENGA SPINNER is best used with TENGA HOLE LOTION Series.



※ Tester lotion is a single-use amount of HOLE LOTION [REAL].

### Warning

- Do not use on damaged, irritated or otherwise abnormal skin. If you experience any discomfort or irritation, stop use immediately and consult a medical professional.
- After use, ensure no lotion or other fluids remain on the item by washing thoroughly with tepid water and mild soap, and ensure product is completely dry before storing.
- Do not wash with alcoholic cleaners, or corrosive substances such as benzene or paint thinner. This may damage the item.
- Lotion may leak during use. Please ensure you use the item on a surface where this can occur.
- Do not boil.
- Store at cool to room temperature.
- Keep away from the reach of children.
- Do not place near nose or mouth to avoid suffocation risk.
- Do not use in any way other than stated on this User Manual.
- Do not share this product with others to prevent risk of STIs.
- Do not use this product if it is damaged in any way.
- TENGA Co., Ltd. can not be held liable if used in any way other than that stated in this User Manual. Use at own risk.

- Materials: Elastomer, PP, PS, PE
- Dimensions / Weight: W56×D56×H140mm / Approx. 190g

Manufactured by TENGA Co.,Ltd.  
1-7-1 Mita, Minato, Tokyo 108-0073, JAPAN.

TENGA Europe GmbH -  
Immermannstr. 15. 40210 Düsseldorf, GERMANY

For more information, please visit: [tenga.co](http://tenga.co)

### [PRODUCT]

(EU, KR, SG-DM) Design PAT No.DM/102221  
(TW) Design PAT No.D198109

### [CASE]

(JP) Design PAT No.1624562  
(EU, KR, SG-DM) Design PAT No.DM/102562  
(CN) Design PAT No.ZL201830575686.6  
(TW) Design PAT No.D196447

MADE IN JAPAN

[SPN00P02-12]